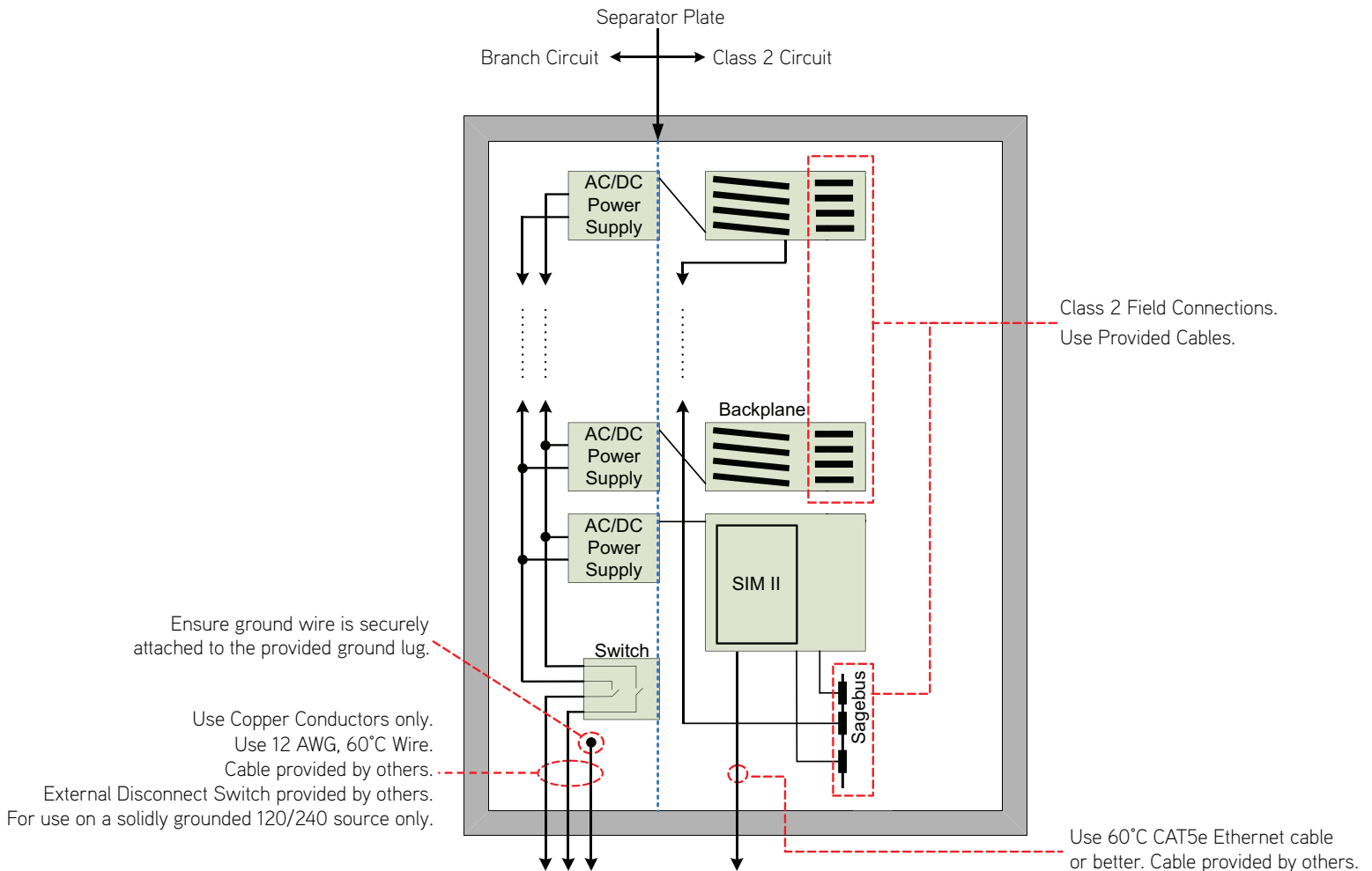


GENERAL WIRING DIAGRAM

The SageGlass general wiring diagram describes the electrical schematic. For details, see the latest revision of the project specific wiring diagram provided.* Field installed components shown on the diagram are indicated by the red dashed lines. Keep all branch circuits and class 2 circuits wiring within the appropriate section of the control panel enclosure as indicated on the diagram and separated by the separator plate.



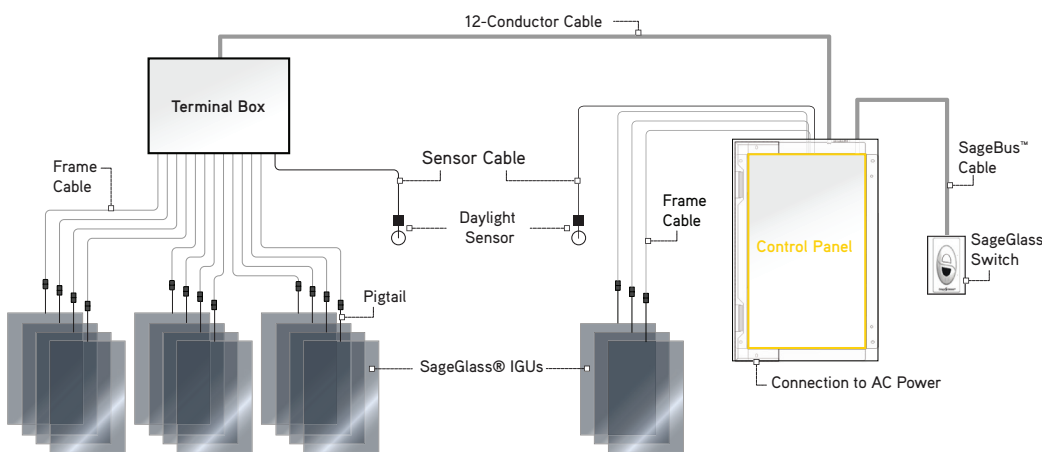
*Actual number of componets may vary.
For details see latest revision of project specific wiring diagram # _____

- All control panels, terminal boxes, sensors, and cables must be labeled and terminated by the electrical contractor per the project specific wiring diagram identified above.
- The electrical contractor is responsible for all cable runs, terminations, connections, and general control system installation identified in the project specific wiring diagram identified above.
- Do not power up the system until SAGE is on site for commissioning or SAGE provides written approval to power up the system for the first time.

ELECTRICAL POWER

CONTROL PANEL SIZE	VOLTAGE (AC)	FREQUENCY	PHASE	MAX-POWER
SMALL	99-253	50/60Hz	Single	500 VA
MEDIUM				975 VA
LARGE				1575 VA

SYSTEM OVERVIEW



RATINGS & CERTIFICATIONS

- UL 508A Type 1 Enclosure.
- For more information, please refer to SageGlass document no. SCS-006.
- For mounting instructions, please refer to SageGlass document no. SCS-037.

IP2X

cUL US LISTED

Enclosed Industrial Control Panel
E492386

FC

GET IN TOUCH

SageGlass® is the pioneer of the world's smartest dynamic glass and is transforming the indoor experience for people by connecting the built and natural environments. Electronically tintable SageGlass tints or clears on demand to control sunlight and prevent heat and glare without the need for blinds or shades. SageGlass dramatically reduces energy demand and the need for HVAC by blocking up to 91 percent of solar heat. As part of Saint-Gobain, SageGlass is backed by more than 350 years of building science expertise that only the world leader in sustainable environments can provide.

(877)724-3321

archsolutions@sageglass.com

www.sageglass.com



SAGE Electrochromics, Inc.
2 Sage Way • Faribault, MN 55021 USA

© SAGE Electrochromics, Inc. All rights reserved. SageGlass is a registered trademark of SAGE Electrochromics, Inc. SCS-047.0